

# Old School Industries, Inc.

**Old School Industries, Inc.** modular boom stands combine innovative design and superior materials to make an application specific boom stand ideal for industrial/scientific stereomicroscope workstations. **Old School Industries, Inc.** extensive offering of “Off the shelf” selectable features includes five (5) weighted bases, floor mount, table mount, and table clamp, two (2) horizontal boom arm lengths, a ball bearing boom arm, a fixed boom arm, five (5) vertical posts, as well as many mounting accessories. **Old School Industries, Inc.** also offers custom design and manufacturing (including private labeling) for those needs not met by our standard product offering.

## Bases -

**Old School Industries, Inc.** offers eight (8) standard boomstand bases.

The 1616U Cast Aluminum base provides a minimal footprint, designed to maximize stability and minimize the overall weight.

The U-Base design allows for maximal stability when examining smaller samples.

The 1010S 10 x 10 x  $\frac{3}{4}$  inch Steel base is the “classic” industrial boomstand base. The standard assembly, OS1010S-1618 with an 18 inch horizontal extension and 16 inch vertical post is suitable for most routine applications.

The 1010H 10 x 10 x  $1\frac{1}{4}$  inch Steel base is a more massive version of the “classic” 1010S.

The 0606T Table Top Mount allows for hard mounting of the stand to the workbench surface. Included with the table top base are three (3) 2 inch x  $\frac{1}{2}$  -13 UNC bolts, nuts, washers.

The 0606C Table clamp comes standard with  $\frac{1}{2}$  -13 UNC spanner bolts to accommodate a  $\frac{1}{2}$  inch to  $1\frac{1}{2}$  inch table thickness.

Thicker tables can be accommodated by requesting longer spanner bolts.

The 1720A 17 x 10 x  $\frac{3}{4}$  inch Large Aluminum base offers a large stable work surface.

The 1113A 11 x 13 x  $\frac{1}{2}$  Small Aluminum base is the most economical base. It is ideal for applications where the microscope focus block is mounted directly to the vertical post.

The 3436F is a heavy duty Steel floor stand, which comes with a 2” diameter x 30” long riser post. Specify the length  $1\frac{1}{2}$  inch vertical column to mount to the 2 inch riser, and mount any OSI boom arm. Contact the Factory for details.

## Horizontal Boom Arms -

**Old School Industries, Inc.** offers four (4) standard horizontal boom arms. All the horizontal boom arms accept the industry standard 5/8-inch “BonderPin” mounted end on, above or below the horizontal arm.

The HB18 and HB25 Horizontal Boom arms are clear anodized aluminum offering 18 and 25 inch maximum extensions, respectively from the center line of the vertical post. Custom lengths are available upon request.

The BB Ball Bearing Boom arm with Cross block has a maximum 12” extension from the center of the vertical post with the added feature of resistance free horizontal movement.

The F6 Fixed Boom arm has a 6” extension from the center of the vertical post and is ideal for applications where horizontal adjustments are not necessary.

## Vertical Posts -

**Old School Industries, Inc.** offers five (5) vertical posts.

The VP 16 and the VP 25 are  $1\frac{1}{2}$  diameter Stainless Steel posts 16 and 25 inches long, respectively. Both posts accept the BB Ball Bearing Boom arm with Cross block and the CXB Standard Cross block.

The VP 16-20 is a 20 mm diameter x 16 inch post which accepts the Meiji F-holder focus block.

The VP 16-25 is a 25 mm diameter x 16 inch post which accepts the Olympus SZ-STB2; Nikon 76265 focus blocks.

The VP 16-32 is a 32 mm diameter x 16 inch post which accepts the Olympus SZX-FOF; SZX-FO, SZ-S TS; Nikon 83001 focus blocks.



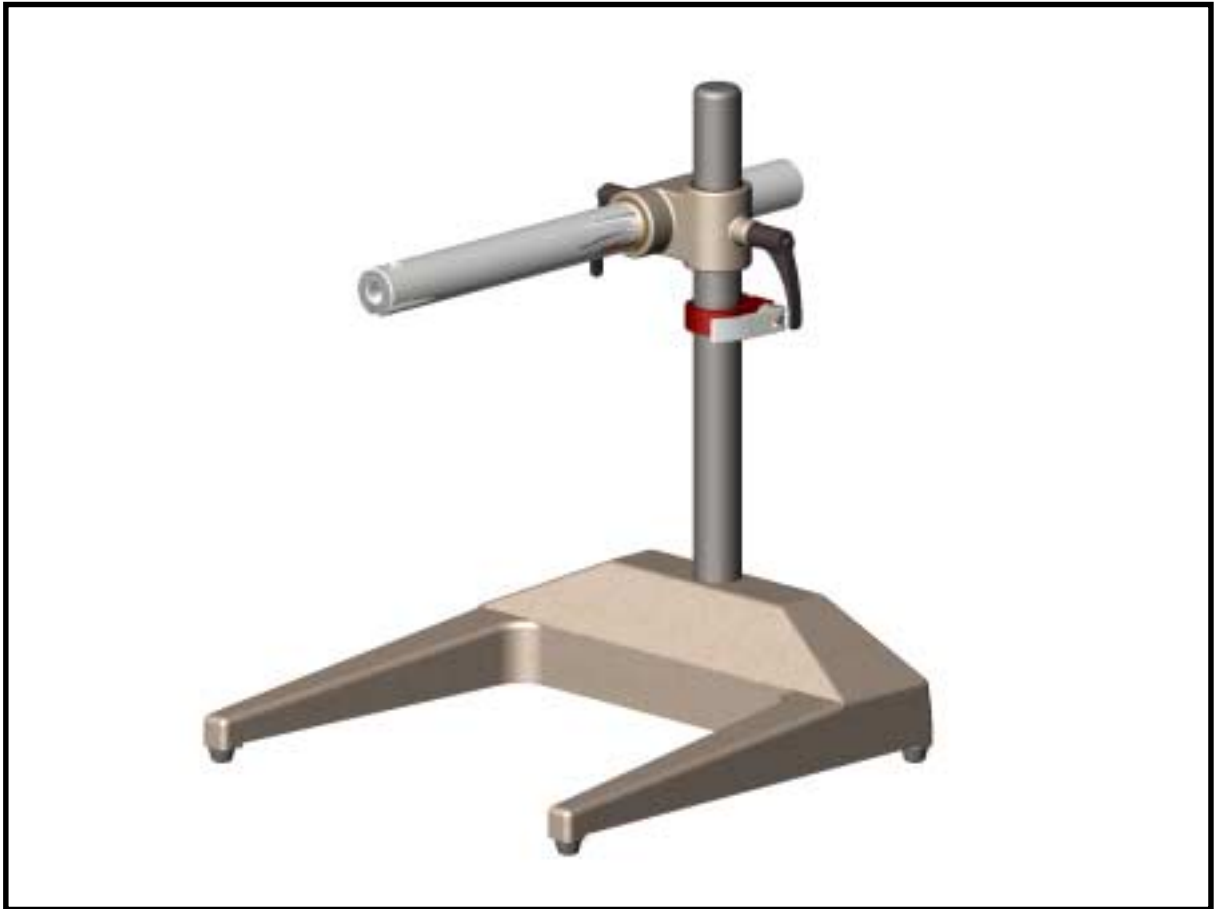
**OLD SCHOOL INDUSTRIES, INC.**

4678 EDIE PLACE, ERIE, CO 80516

PHONE: (303) 828-9093 FAX: (303) 828-9094

WEB: [www.osi-incorp.com](http://www.osi-incorp.com) E-MAIL: [info@osi-incorp.com](mailto:info@osi-incorp.com)

# BOOM STAND ASSEMBLY OS1616U-1618



## OS1616U-1618

Comprised of the following Old School Industries, Inc. components:

- 1 **VP16** 16 inch long x 1.5 inch diameter stainless steel vertical post drilled to accept a 1/2-13 UNC bolt.
- 1 **HB18** 18 inch long x 1.5 inch diameter clear anodized aluminum keyed horizontal bar drilled to accept industry standard 5/8 inch “Bonder Pin” mounted end on, above or below the bar.
- 1 **QRSC** Red anodized aluminum safety clamp featuring the clear anodized aluminum quick release handle incorporating all stainless steel and brass hardware.
- 1 **CXB** Cast powder coated aluminum cross block with bronze bushings and adjustable handles.
- 1 **1616U** Cast aluminum, powder coated “U” shaped base. Outside dimensions - 16 x 16 inches. 8 lbs.



**OLD SCHOOL INDUSTRIES, INC.**

4678 EDIE PLACE, ERIE, CO 80516

PHONE: (303) 828-9093 FAX: (303) 828-9094

WEB: [www.osi-incorp.com](http://www.osi-incorp.com) E-MAIL: [info@osi-incorp.com](mailto:info@osi-incorp.com)

# BOOM STAND ASSEMBLY OS1616U-16BB



## OS1616U-16BB

Comprised of the following Old School Industries, Inc. components:

- 1 **VP16** 16 inch long x 1.5 inch diameter stainless steel vertical post drilled to accept a 1/2-13 UNC bolt.
- 1 **BB** Cast powder coated aluminum cross block featuring bronze bushings for the vertical post and 3/4 inch linear bearings for the horizontal double bar assembly. Total horizontal motion - 12 inches
- 1 **QRSC** Red anodized aluminum safety clamp featuring the clear anodized aluminum quick release handle incorporating all stainless steel and brass hardware.
- 1 **1616U** Cast aluminum, powder coated "U" shaped base. Outside dimensions - 16 x 16 inches. 8 lbs.



**OLD SCHOOL INDUSTRIES, INC.**

4678 EDIE PLACE, ERIE, CO 80516

PHONE: (303) 828-9093 FAX: (303) 828-9094

WEB: [www.osi-incorp.com](http://www.osi-incorp.com) E-MAIL: [info@osi-incorp.com](mailto:info@osi-incorp.com)

# BOOM STAND ASSEMBLY OS1616U-16F6



## OS1616U-16F6

Comprised of the following Old School Industries, Inc. components:

- 1 **VP16** 16 inch long x 1.5 inch diameter stainless steel vertical post drilled to accept a 1/2-13 UNC bolt.
- 1 **F6** 6 inch long black anodized aluminum fixed distance boom drilled to accept the industry standard 5/8 inch "Bonder Pin" mounted end on, above or below the bar.
- 1 **QRSC** Red anodized aluminum safety clamp featuring the clear anodized aluminum quick release handle incorporating all stainless steel and brass hardware.
- 1 **1616U** Cast aluminum, powder coated "U" shaped base. Outside dimensions - 16 x 16 inches. 8 lbs.



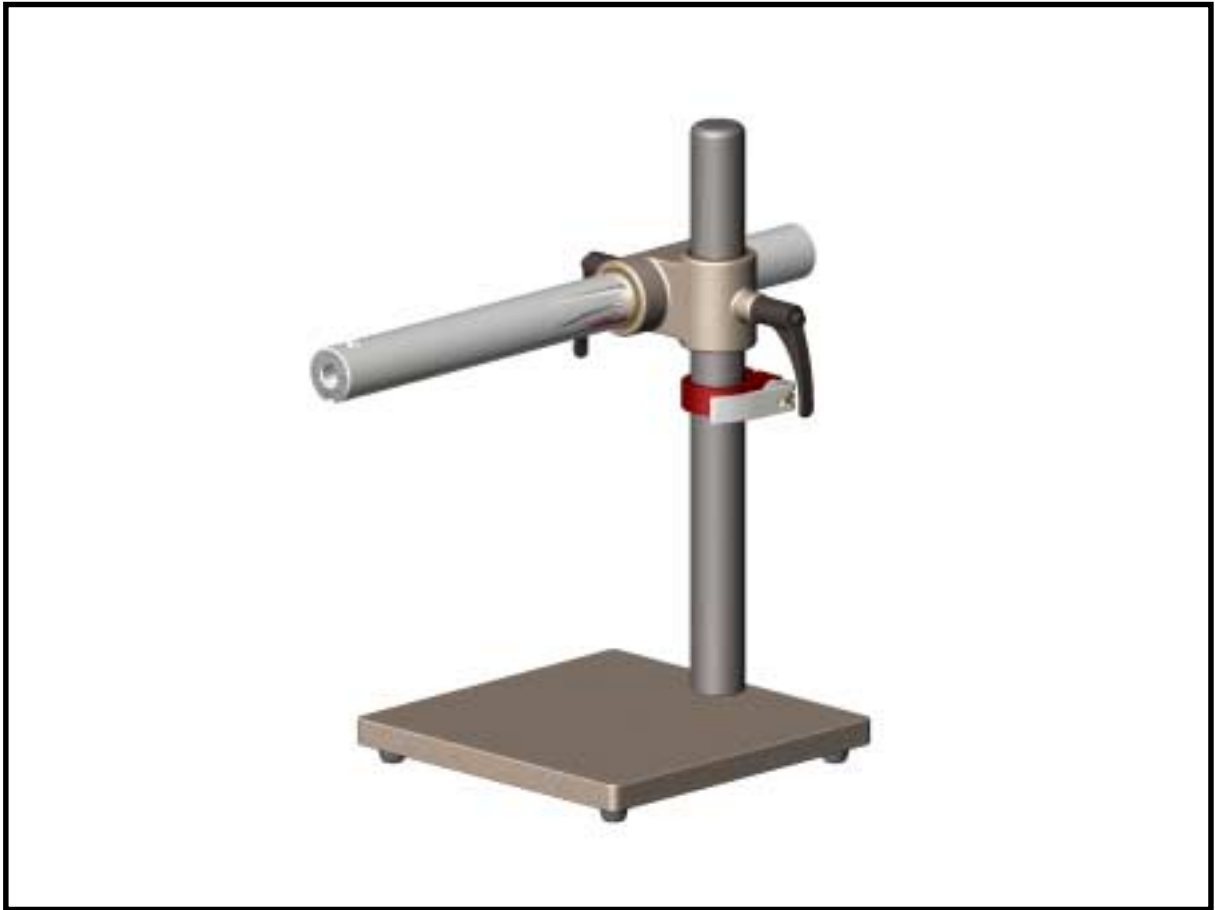
**OLD SCHOOL INDUSTRIES, INC.**

4678 EDIE PLACE, ERIE, CO 80516

PHONE: (303) 828-9093 FAX: (303) 828-9094

WEB: [www.osi-incorp.com](http://www.osi-incorp.com) E-MAIL: [info@osi-incorp.com](mailto:info@osi-incorp.com)

# BOOM STAND ASSEMBLY OS1010S-1618



## OS1010S-1618

Comprised of the following Old School Industries, Inc. components:

- 1 **VP16** 16 inch long x 1.5 inch diameter stainless steel vertical post drilled to accept a 1/2-13 UNC bolt.
- 1 **HB18** 18 inch long x 1.5 inch diameter clear anodized aluminum keyed horizontal bar drilled to accept industry standard 5/8 inch "Bonder Pin" mounted end on, above or below the bar.
- 1 **QRSC** Red anodized aluminum safety clamp featuring the clear anodized aluminum quick release handle incorporating all stainless steel and brass hardware.
- 1 **CXB** Cast powder coated aluminum cross block with bronze bushings and adjustable handles.
- 1 **1010S** Steel, powder coated base. Outside dimensions - 10 x 10 x 3/4 inches. 21 lbs.



**OLD SCHOOL INDUSTRIES, INC.**

4678 EDIE PLACE, ERIE, CO 80516

PHONE: (303) 828-9093 FAX: (303) 828-9094

WEB: [www.osi-incorp.com](http://www.osi-incorp.com) E-MAIL: [info@osi-incorp.com](mailto:info@osi-incorp.com)

# BOOM STAND ASSEMBLY OS1010S-16BB



## OS1010S-16BB

Comprised of the following Old School Industries, Inc. components:

- 1 **VP16** 16 inch long x 1.5 inch diameter stainless steel vertical post drilled to accept a 1/2-13 UNC bolt.
- 1 **BB** Cast powder coated aluminum cross block featuring bronze bushings for the vertical post and 3/4 inch linear bearings for the horizontal double bar assembly. Total horizontal motion - 12 inches
- 1 **QRSC** Red anodized aluminum safety clamp featuring the clear anodized aluminum quick release handle incorporating all stainless steel and brass hardware.
- 1 **1010S** Steel, powder coated base. Outside dimensions - 10 x10 x 3/4 inches. 21 lbs.



**OLD SCHOOL INDUSTRIES, INC.**

4678 EDIE PLACE, ERIE, CO 80516

PHONE: (303) 828-9093 FAX: (303) 828-9094

WEB: [www.osi-incorp.com](http://www.osi-incorp.com) E-MAIL: [info@osi-incorp.com](mailto:info@osi-incorp.com)

# BOOM STAND ASSEMBLY OS1010S-16F6



## OS1010S-16F6

Comprised of the following Old School Industries, Inc. components:

- 1 **VP16** 16 inch long x 1.5 inch diameter stainless steel vertical post drilled to accept a 1/2-13 UNC bolt.
- 1 **F6** 6 inch long black anodized aluminum fixed distance boom drilled to accept the industry standard 5/8 inch "Bonder Pin" mounted end on, above or below the bar.
- 1 **QRSC** Red anodized aluminum safety clamp featuring the clear anodized aluminum quick release handle incorporating all stainless steel and brass hardware.
- 1 **1010S** Steel, powder coated base. Outside dimensions - 10 x 10 x 3/4 inches. 21 lbs.



**OLD SCHOOL INDUSTRIES, INC.**

4678 EDIE PLACE, ERIE, CO 80516

PHONE: (303) 828-9093 FAX: (303) 828-9094

WEB: [www.osi-incorp.com](http://www.osi-incorp.com) E-MAIL: [info@osi-incorp.com](mailto:info@osi-incorp.com)

# BOOM STAND ASSEMBLY OS1720A-1618



## OS1720A-1618

Comprised of the following Old School Industries, Inc. components:

- 1 **VP16** 16 inch long x 1.5 inch diameter stainless steel vertical post drilled to accept a 1/2-13 UNC bolt.
- 1 **HB18** 18 inch long x 1.5 inch diameter clear anodized aluminum keyed horizontal bar drilled to accept the industry standard 5/8 inch "Bonder Pin" mounted end on, above or below the bar.
- 1 **QRSC** Red anodized aluminum safety clamp featuring the clear anodized aluminum quick release handle incorporating all stainless steel and brass hardware.
- 1 **CXB** Cast powder coated aluminum cross block with bronze bushings and adjustable handles.
- 1 **1720A** Aluminum, powder coated base. Outside dimensions - 17 x 20 x 3/4 inches. 27 lbs.



**OLD SCHOOL INDUSTRIES, INC.**

4678 EDIE PLACE, ERIE, CO 80516

PHONE: (303) 828-9093 FAX: (303) 828-9094

WEB: [www.osi-incorp.com](http://www.osi-incorp.com) E-MAIL: [info@osi-incorp.com](mailto:info@osi-incorp.com)



# BOOM STAND ASSEMBLY OS1720A-16BB



## OS1720A-16BB

Comprised of the following Old School Industries, Inc. components:

- 1 **VP16** 16 inch long x 1.5 inch diameter stainless steel vertical post drilled to accept a 1/2-13 UNC bolt.
- 1 **BB** Cast powder coated aluminum cross block featuring bronze bushings for the vertical post and 3/4 inch linear bearings for the horizontal double bar assembly. Total horizontal motion - 12 inches
- 1 **QRSC** Red anodized aluminum safety clamp featuring the clear anodized aluminum quick release handle incorporating all stainless steel and brass hardware.
- 1 **1720A** Aluminum, powder coated base. Outside dimensions - 17 x 20 x 3/4 inches. 27 lbs.



**OLD SCHOOL INDUSTRIES, INC.**

4678 EDIE PLACE, ERIE, CO 80516

PHONE: (303) 828-9093 FAX: (303) 828-9094

WEB: [www.osi-incorp.com](http://www.osi-incorp.com) E-MAIL: [info@osi-incorp.com](mailto:info@osi-incorp.com)

# BOOM STAND ASSEMBLY OS1720A-16F6



## OS1720A-16F6

Comprised of the following Old School Industries, Inc. components:

- 1 **VP16** 16 inch long x 1.5 inch diameter stainless steel vertical post drilled to accept a 1/2-13 UNC bolt.
- 1 **F6** 6 inch long black anodized aluminum fixed distance boom drilled to accept the industry standard 5/8 inch "Bonder Pin" mounted end on, above or below the bar.
- 1 **QRSC** Red anodized aluminum safety clamp featuring the clear anodized aluminum quick release handle incorporating all stainless steel and brass hardware.
- 1 **1720A** Aluminum, powder coated base. Outside dimensions - 17 x 20 x 3/4 inches. 27 lbs.



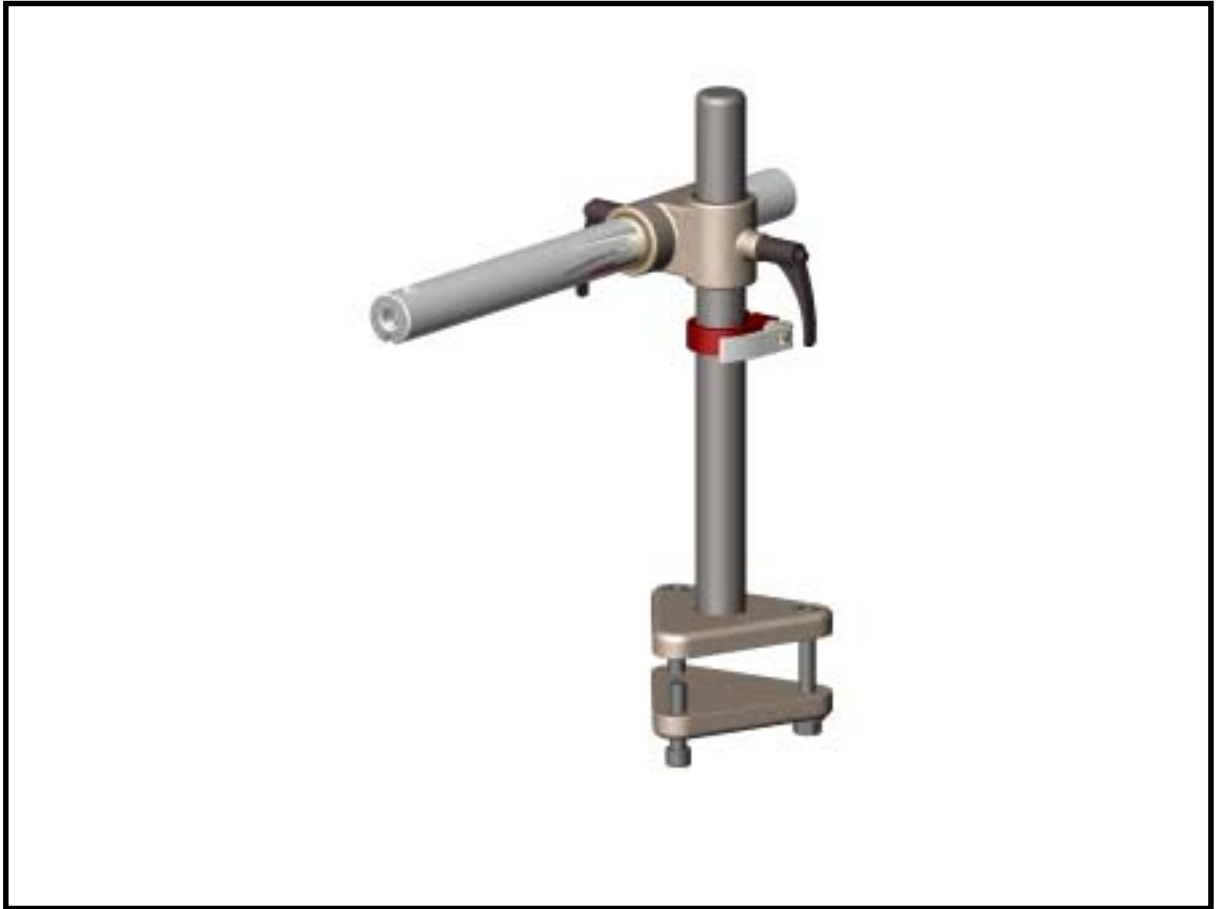
**OLD SCHOOL INDUSTRIES, INC.**

4678 EDIE PLACE, ERIE, CO 80516

PHONE: (303) 828-9093 FAX: (303) 828-9094

WEB: [www.osi-incorp.com](http://www.osi-incorp.com) E-MAIL: [info@osi-incorp.com](mailto:info@osi-incorp.com)

# BOOM STAND ASSEMBLY OS0606C-1618



## OS0606C-1618

Comprised of the following Old School Industries, Inc. components:

- 1 **VP16** 16 inch long x 1.5 inch diameter stainless steel vertical post drilled to accept a 1/2-13 UNC bolt.
- 1 **HB18** 18 inch long x 1.5 inch diameter clear anodized aluminum keyed horizontal bar drilled to accept the industry standard 5/8 inch "Bonder Pin" mounted end on, above or below the bar.
- 1 **QRSC** Red anodized aluminum safety clamp featuring the clear anodized aluminum quick release handle incorporating all stainless steel and brass hardware.
- 1 **CXB** Cast powder coated aluminum cross block with bronze bushings and adjustable handles.
- 1 **0606C** 2 piece powder coated machined aluminum base with two (2) 1/2-13 UNC socket head cap screws as spanner bolts which allow for a snug fit to any table thickness. Outside dimensions - 6 x 6 inches.



**OLD SCHOOL INDUSTRIES, INC.**

4678 EDIE PLACE, ERIE, CO 80516

PHONE: (303) 828-9093 FAX: (303) 828-9094

WEB: [www.osi-incorp.com](http://www.osi-incorp.com) E-MAIL: [info@osi-incorp.com](mailto:info@osi-incorp.com)

# BOOM STAND ASSEMBLY OS0606C-16BB



## OS0606C-16BB

Comprised of the following Old School Industries, Inc components:

- 1 **VP16** 16 inch long x 1.5 inch diameter stainless steel vertical post drilled to accept a 1/2-13 UNC bolt.
- 1 **BB** Cast powder coated aluminum cross block featuring bronze bushings for the vertical post and 3/4 inch linear bearings for the horizontal double bar assembly. Total horizontal motion - 12 inches
- 1 **QRSC** Red anodized aluminum safety clamp featuring the clear anodized aluminum quick release handle incorporating all stainless steel and brass hardware.
- 1 **0606C** 2-piece powder coated machined aluminum base with two (2) 1/2-13 UNC socket head cap screws as spanner bolts which allow for a snug fit to any table thickness. Outside dimensions - 6 x 6 inches.



**OLD SCHOOL INDUSTRIES, INC.**

4678 EDIE PLACE, ERIE, CO 80516

PHONE: (303) 828-9093 FAX: (303) 828-9094

WEB: [www.osi-incorp.com](http://www.osi-incorp.com) E-MAIL: [info@osi-incorp.com](mailto:info@osi-incorp.com)

# BOOM STAND ASSEMBLY

## OS0606C-16F6



### OS0606C-16F6

Comprised of the following Old School Industries, Inc components:

- 1 **VP16** 16 inch long x 1.5 inch diameter stainless steel vertical post drilled to accept a 1/2-13 UNC bolt.
- 1 **F6** 6 inch long black anodized aluminum fixed distance boom drilled to accept the industry standard 5/8 inch "Bonder Pin" mounted end on, above or below the bar.
- 1 **QRSC** Red anodized aluminum safety clamp featuring the clear anodized aluminum quick release handle incorporating all stainless steel and brass hardware.
- 1 **0606C** 2-piece powder coated machined aluminum base with two (2) 1/2-13 UNC socket head cap screws as spanner bolts which allow for a snug fit to any table thickness. Outside dimensions - 6 x 6 inches.



**OLD SCHOOL INDUSTRIES, INC.**

4678 EDIE PLACE, ERIE, CO 80516

PHONE: (303) 828-9093 FAX: (303) 828-9094

WEB: [www.osi-incorp.com](http://www.osi-incorp.com) E-MAIL: [info@osi-incorp.com](mailto:info@osi-incorp.com)

# BOOM STAND ASSEMBLY OS0606T-1618



## OS0606T-1618

Comprised of the following Old School Industries, Inc. components:

- 1 **VP16** 16 inch long x 1.5 inch diameter stainless steel vertical post drilled to accept a 1/2-13 UNC bolt.
- 1 **HB18** 18 inch long x 1.5 inch diameter clear anodized aluminum keyed horizontal bar drilled to accept the industry standard 5/8 inch “Bonder Pin” mounted end on, above or below the bar.
- 1 **QRSC** Red anodized aluminum safety clamp featuring the clear anodized aluminum quick release handle incorporating all stainless steel and brass hardware.
- 1 **CXB** Cast powder coated aluminum cross block with bronze bushings and adjustable handles.
- 1 **0606T** 1 piece powder coated machined aluminum base intended to be mounted to a table top. Includes three (3) 2 inch x 1/2 -13 UNC bolts, nuts, washers. Outside dimensions - 6 x 6 inches.



**OLD SCHOOL INDUSTRIES, INC.**

4678 EDIE PLACE, ERIE, CO 80516

PHONE: (303) 828-9093 FAX: (303) 828-9094

WEB: [www.osi-incorp.com](http://www.osi-incorp.com) E-MAIL: [info@osi-incorp.com](mailto:info@osi-incorp.com)

# BOOM STAND ASSEMBLY OS0606T-16BB



## OS0606T-16BB

Comprised of the following Old School Industries, Inc components:

- 1 **VP16** 16 inch long x 1.5 inch diameter stainless steel vertical post drilled to accept a 1/2-13 UNC bolt.
- 1 **BB** Cast powder coated aluminum cross block featuring bronze bushings for the vertical post and 3/4 inch linear bearings for the horizontal double bar assembly. Total horizontal motion - 12 inches
- 1 **QRSC** Red anodized aluminum safety clamp featuring the clear anodized aluminum quick release handle incorporating all stainless steel and brass hardware.
- 1 **0606T** 1 piece powder coated machined aluminum base intended to be mounted to a table top. Includes three (3) 2 inch x 1/2 -13 UNC bolts, nuts, washers. Outside dimensions - 6 x 6 inches.



**OLD SCHOOL INDUSTRIES, INC.**

4678 EDIE PLACE, ERIE, CO 80516

PHONE: (303) 828-9093 FAX: (303) 828-9094

WEB: [www.osi-incorp.com](http://www.osi-incorp.com) E-MAIL: [info@osi-incorp.com](mailto:info@osi-incorp.com)

# BOOM STAND ASSEMBLY OS0606T-16F6



## OS0606T-16F6

Comprised of the following Old School Industries, Inc components:

- 1 **VP16** 16 inch long x 1.5 inch diameter stainless steel vertical post drilled to accept a 1/2-13 UNC bolt.
- 1 **F6** 6 inch long black anodized aluminum fixed distance boom drilled to accept the industry standard 5/8 inch "Bonder Pin" mounted end on, above or below the bar.
- 1 **QRSC** Red anodized aluminum safety clamp featuring the clear anodized aluminum quick release handle incorporating all stainless steel and brass hardware.
- 1 **0606T** 1 piece powder coated machined aluminum base intended to be mounted to a table top. Includes three (3) 2 inch x 1/2 -13 UNC bolts, nuts, washers. Outside dimensions - 6 x 6 inches.



**OLD SCHOOL INDUSTRIES, INC.**

4678 EDIE PLACE, ERIE, CO 80516

PHONE: (303) 828-9093 FAX: (303) 828-9094

WEB: [www.osi-incorp.com](http://www.osi-incorp.com) E-MAIL: [info@osi-incorp.com](mailto:info@osi-incorp.com)



# COMPONENT ASSEMBLY

## 1113A & VP16-20/25/32



### 1113A & VP16-20

### 1113A & VP16-25

### 1113A & VP16-32

Comprised of the following Old School Industries, Inc. components:

- 1 **1113A** Aluminum, powder coated base. Outside dimensions - 11 x 13 x 1/2 inches. 8 lbs.
- 1 **VP16-20** 16 inch long x 20 millimeter diameter stainless steel vertical post drilled to accept a 1/2-13 UNC bolt. Compatible with Meiji F-Holder.
- 1 **VP16-25** 16 inch long x 25 millimeter diameter stainless steel vertical post drilled to accept a 1/2-13 UNC bolt. Compatible with Olympus SZ-STB2; Nikon 76265
- 1 **VP16-32** 16 inch long x 32 millimeter diameter stainless steel vertical post drilled to accept a 1/2-13 UNC bolt. Compatible with Olympus SZX-FOF; SZX-FO, SZ-ST5; Nikon 83001



**OLD SCHOOL INDUSTRIES, INC.**

4678 EDIE PLACE, ERIE, CO 80516

PHONE: (303) 828-9093 FAX: (303) 828-9094

WEB: [www.osi-incorp.com](http://www.osi-incorp.com) E-MAIL: [info@osi-incorp.com](mailto:info@osi-incorp.com)

# BASE ASSEMBLY 3436F



## 3436F

Heavy duty steel floor base, black powder coated. This Unit has outer dimensions of 34" W x 36"D. The 2" diameter vertical post stands approximately 36 inches high. The 3436F Base has 3 industrial locking casters and weighs approximately 140 lbs.

The design allows for an 1.5" diameter adapter post (length to be specified by the user) which will accept any Old School Boom Assembly. As an example, the order part number for the combination of the floor base with a vertical post of 36 inches long (total stand height 72 inches) and a ball bearing boom assembly will be OS3436F-36BB.

Other options include leveling feet, an overhead ball bearing XY assembly, and a base bubble level. As with all Old School products, customization is available.



**OLD SCHOOL INDUSTRIES, INC.**

4678 EDIE PLACE, ERIE, CO 80516

PHONE: (303) 828-9093 FAX: (303) 828-9094

WEB: [www.osi-incorp.com](http://www.osi-incorp.com) E-MAIL: [info@osi-incorp.com](mailto:info@osi-incorp.com)

# BOOM STAND ACCESSORY OSK22



## OSK22

Tilt mount comprising of two black anodized aluminum knuckle halves, one black anodized aluminum camera mounting plate with captive 1/4-20 knob, and one black anodized aluminum safety cap.

Ideal for most camera mounting applications



**OLD SCHOOL INDUSTRIES, INC.**

4678 EDIE PLACE, ERIE, CO 80516

PHONE: (303) 828-9093 FAX: (303) 828-9094

WEB: [www.osi-incorp.com](http://www.osi-incorp.com) E-MAIL: [info@osi-incorp.com](mailto:info@osi-incorp.com)

# BOOM STAND ACCESSORY OSK20MM/25MM/32MM



**OSK20MM**

**OSK25MM**

**OSK32MM**

Tilt mount comprising of two black anodized aluminum knuckle halves, one stainless steel 20/25/32mm post, and two black anodized aluminum safety caps.

**OSK20MM**

Compatible with Meiji F-Holder.

**OSK25MM**

Compatible with Olympus SZ-STB2; Nikon 76265

**OSK32MM**

Compatible with Olympus SZX-FOF, SZX-FO, SZ-ST5; Nikon 83001 .



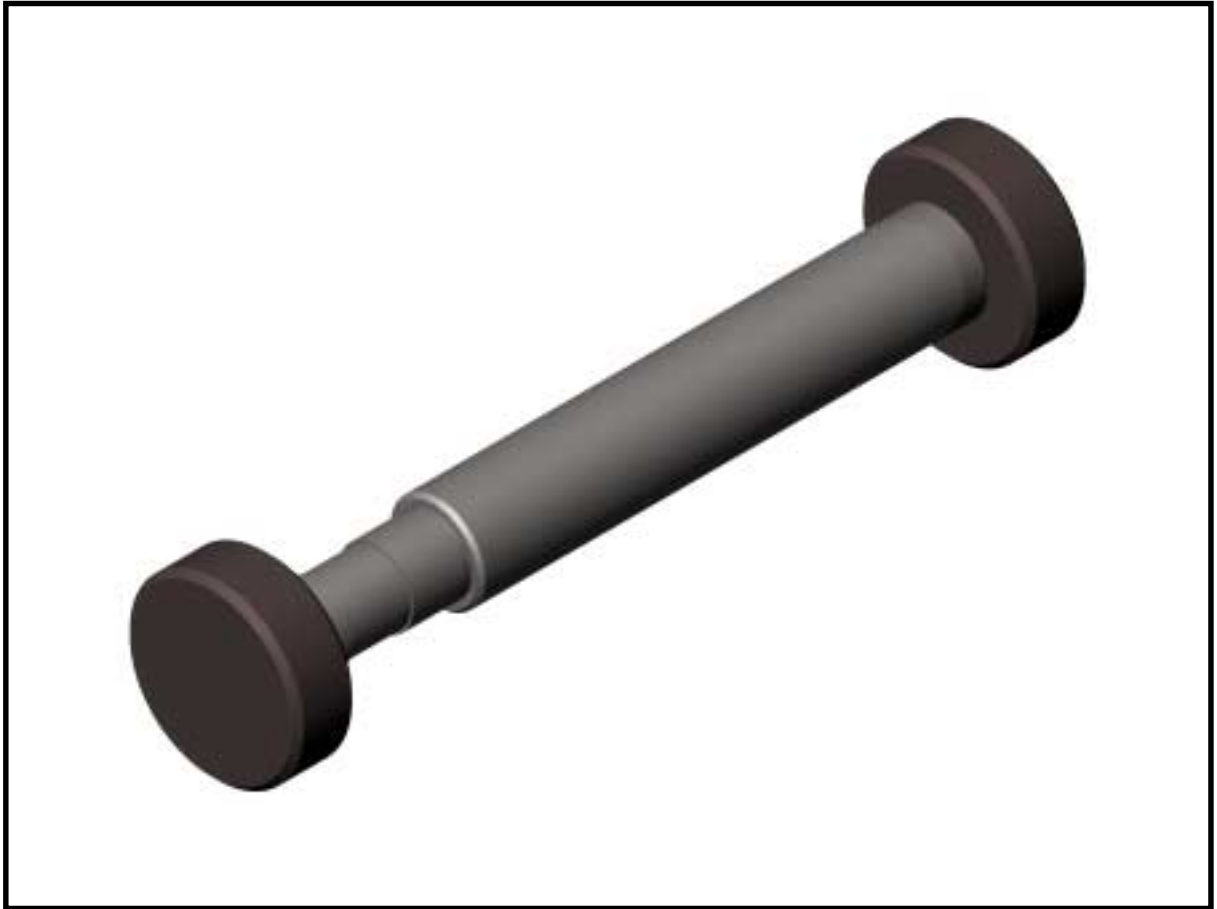
**OLD SCHOOL INDUSTRIES, INC.**

4678 EDIE PLACE, ERIE, CO 80516

PHONE: (303) 828-9093 FAX: (303) 828-9094

WEB: [www.osi-incorp.com](http://www.osi-incorp.com) E-MAIL: [info@osi-incorp.com](mailto:info@osi-incorp.com)

# BOOM STAND ACCESSORY OSSP20MM/25MM/32MM



**OSSP20MM**

**OSSP25MM**

**OSSP32MM**

Standard 20/25/32 mm stainless steel post. 5/8 inch “bonder pin” on one end to fit standard boom stands. Includes 2 black anodized aluminum safety caps.

- OSK20MM** Compatible with Meiji F-Holder.
- OSK25MM** Compatible with Olympus SZ-STB2; Nikon 76265
- OSK32MM** Compatible with Olympus SZX-FOF, SZX-FO, SZ-ST5; Nikon 83001 .



**OLD SCHOOL INDUSTRIES, INC.**

4678 EDIE PLACE, ERIE, CO 80516

PHONE: (303) 828-9093 FAX: (303) 828-9094

WEB: [www.osi-incorp.com](http://www.osi-incorp.com) E-MAIL: [info@osi-incorp.com](mailto:info@osi-incorp.com)